

Installation instructions for PZ4AL-A2054-00, PZ4AL-A2055-00  
Under Run Protective Shield Fuel Tank

## Toyota Hilux



Model Year:

**Hilux - 2011 - 2012**

Vehicle Code:

KUN25L-DRMDHW  
KUN25L-DRMSHW  
KUN26L-PRASYW

Part Number:

Steel: PZ4AL-A2054-00  
Aluminium: PZ4AL-A2055-00



Weight:

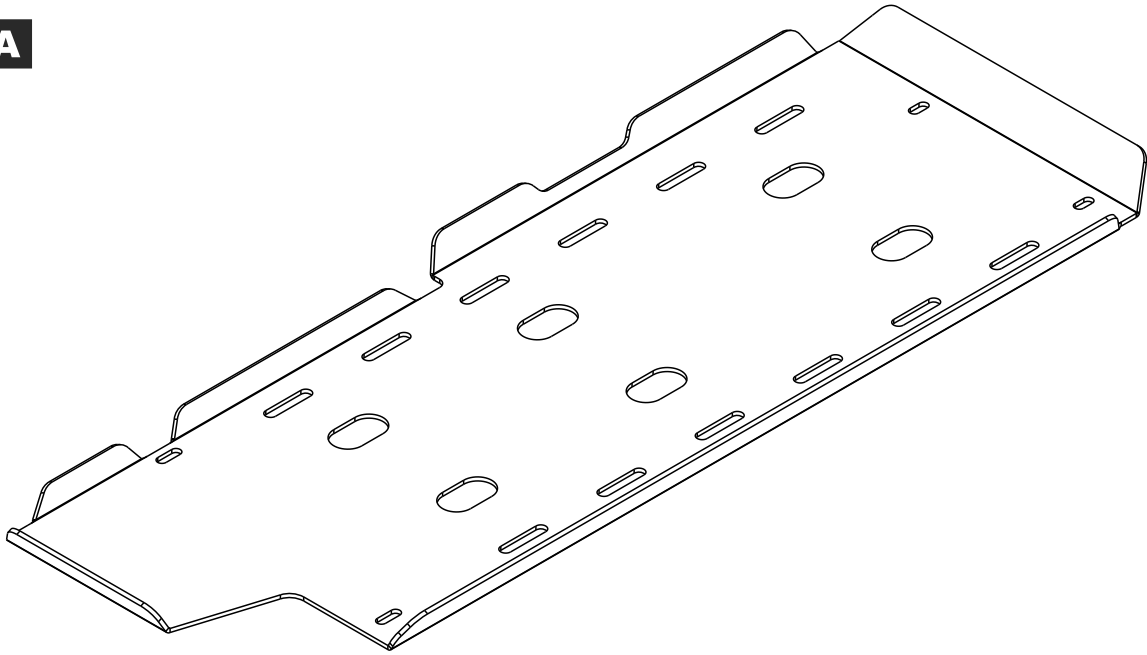
Steel: 13,35 kg  
Aluminium: 10,02 kg



Installation Time:

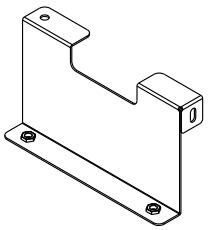
30 min

**A**



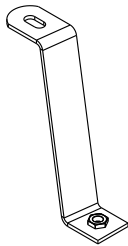
PZ4AL-02054-60

**B**



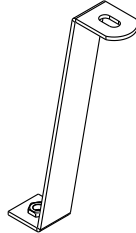
x1

**C1**



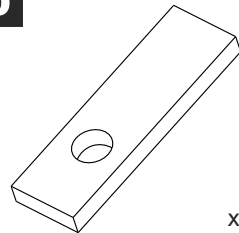
x1

**C2**



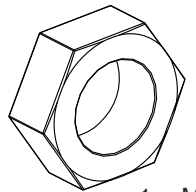
x1

**D**



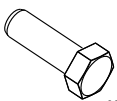
x2

**E**



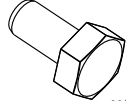
x1 M8

**F1**



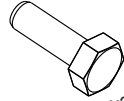
x1 M8x20

**F2**



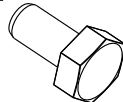
x4 M10x20

**F3**



x2 M10x30

**F4**



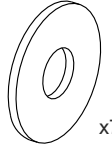
x1 M10x1.25x30

**G1**

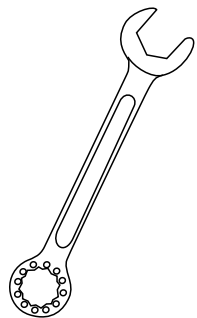
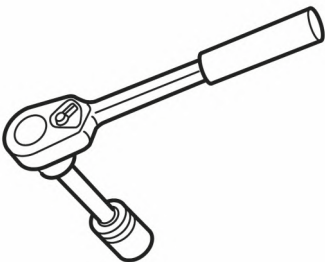


x2 Ø8

**G2**

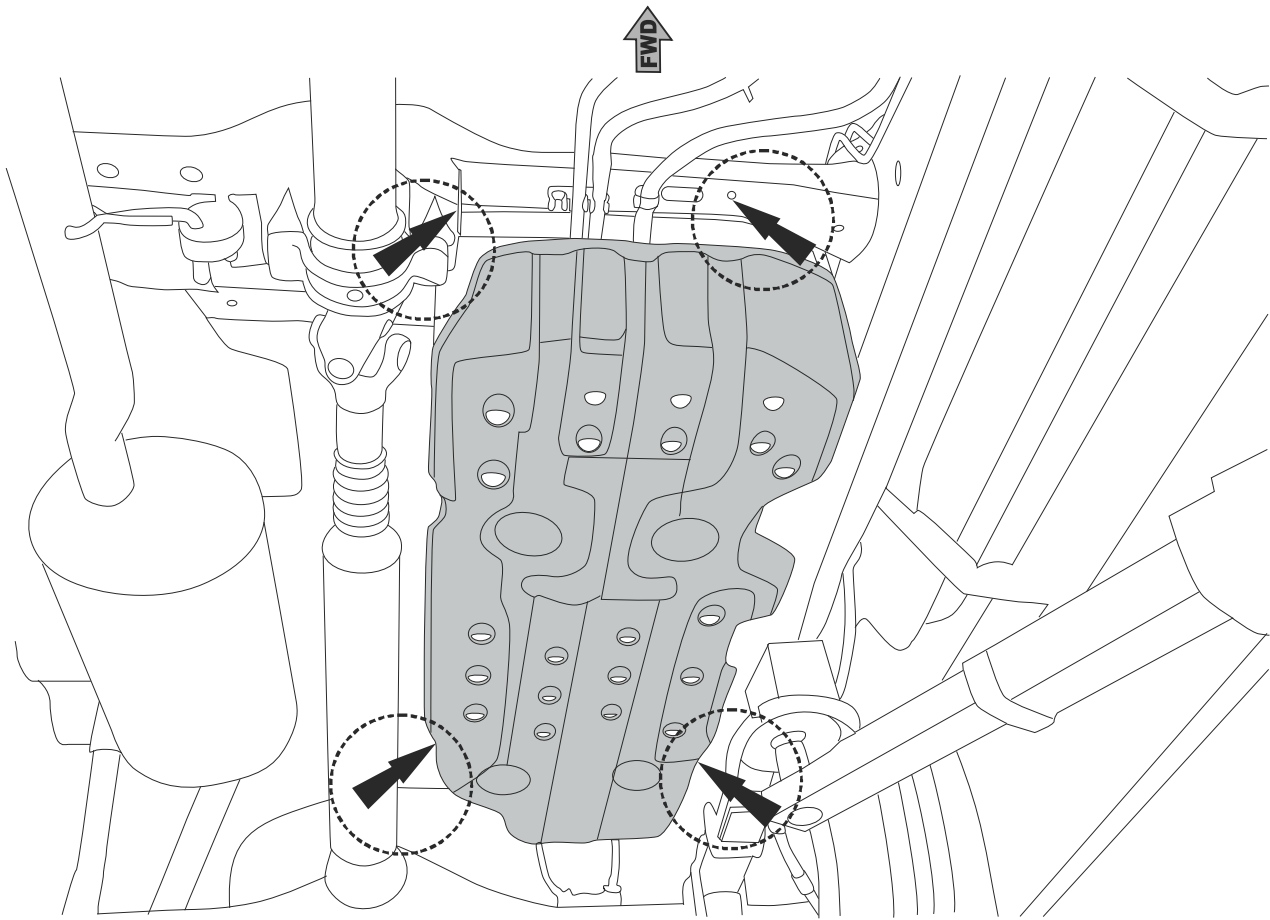
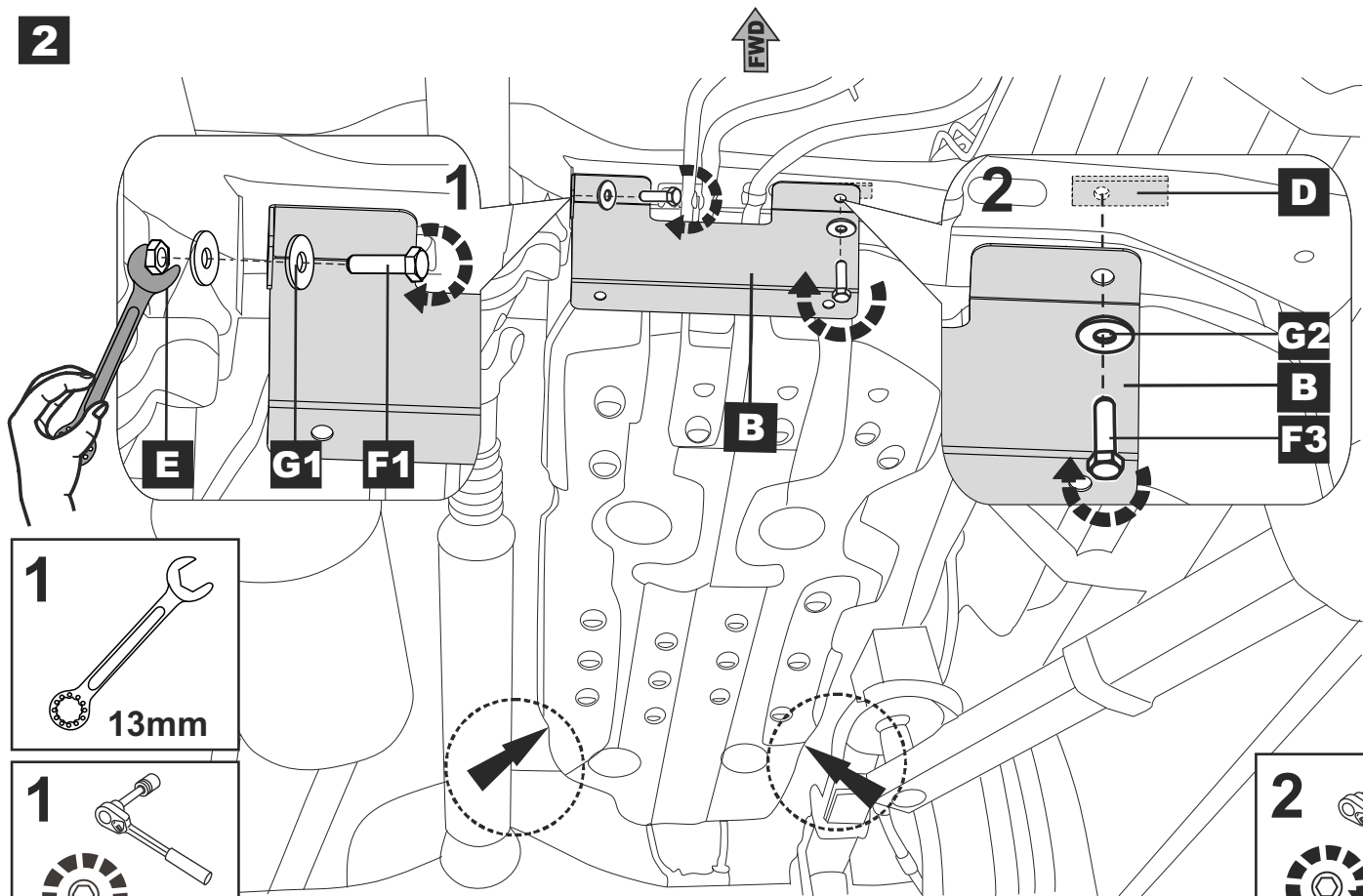
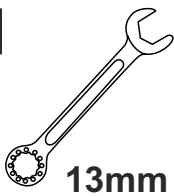
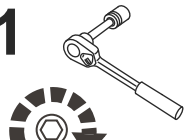
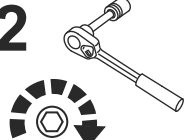


x7 Ø10

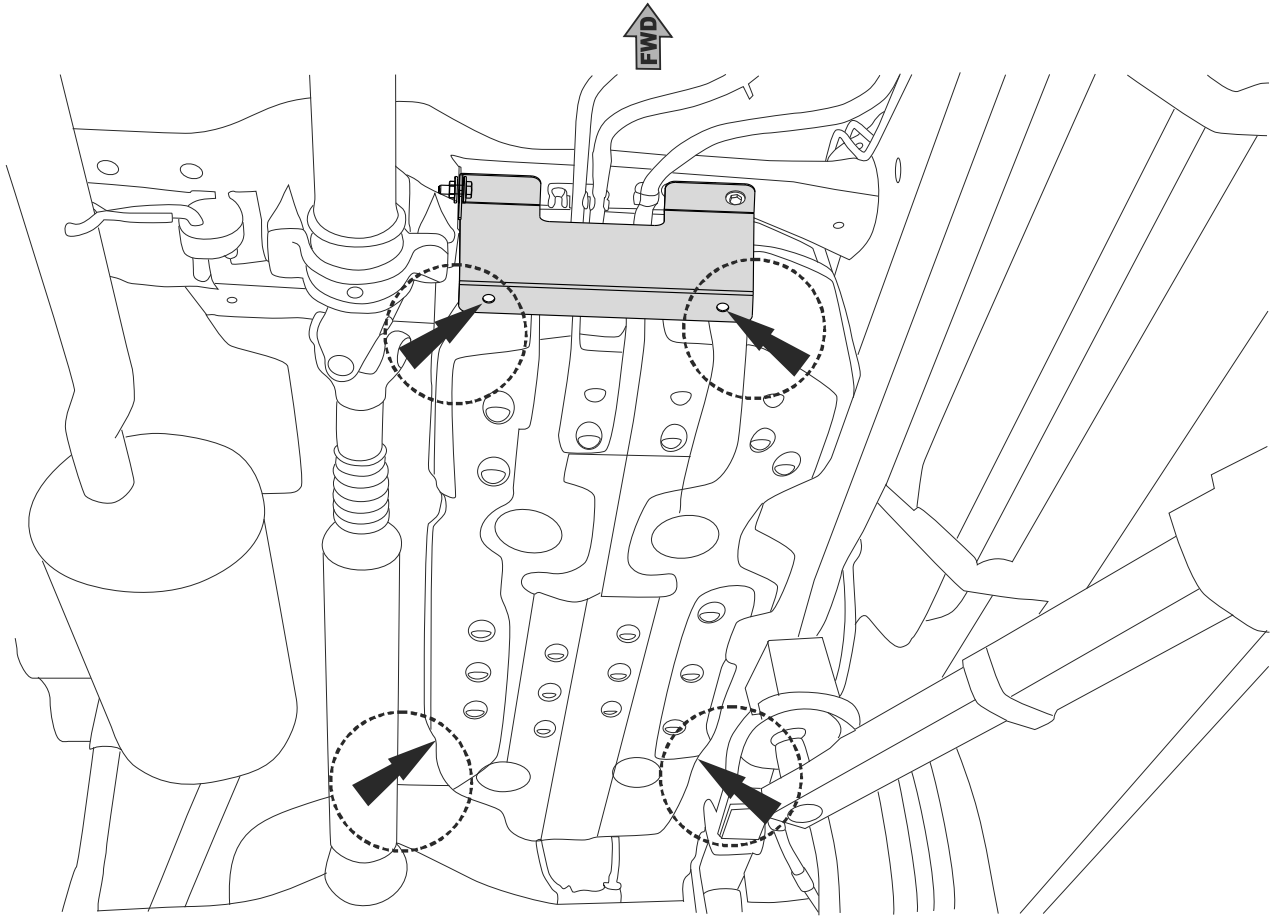


13 mm

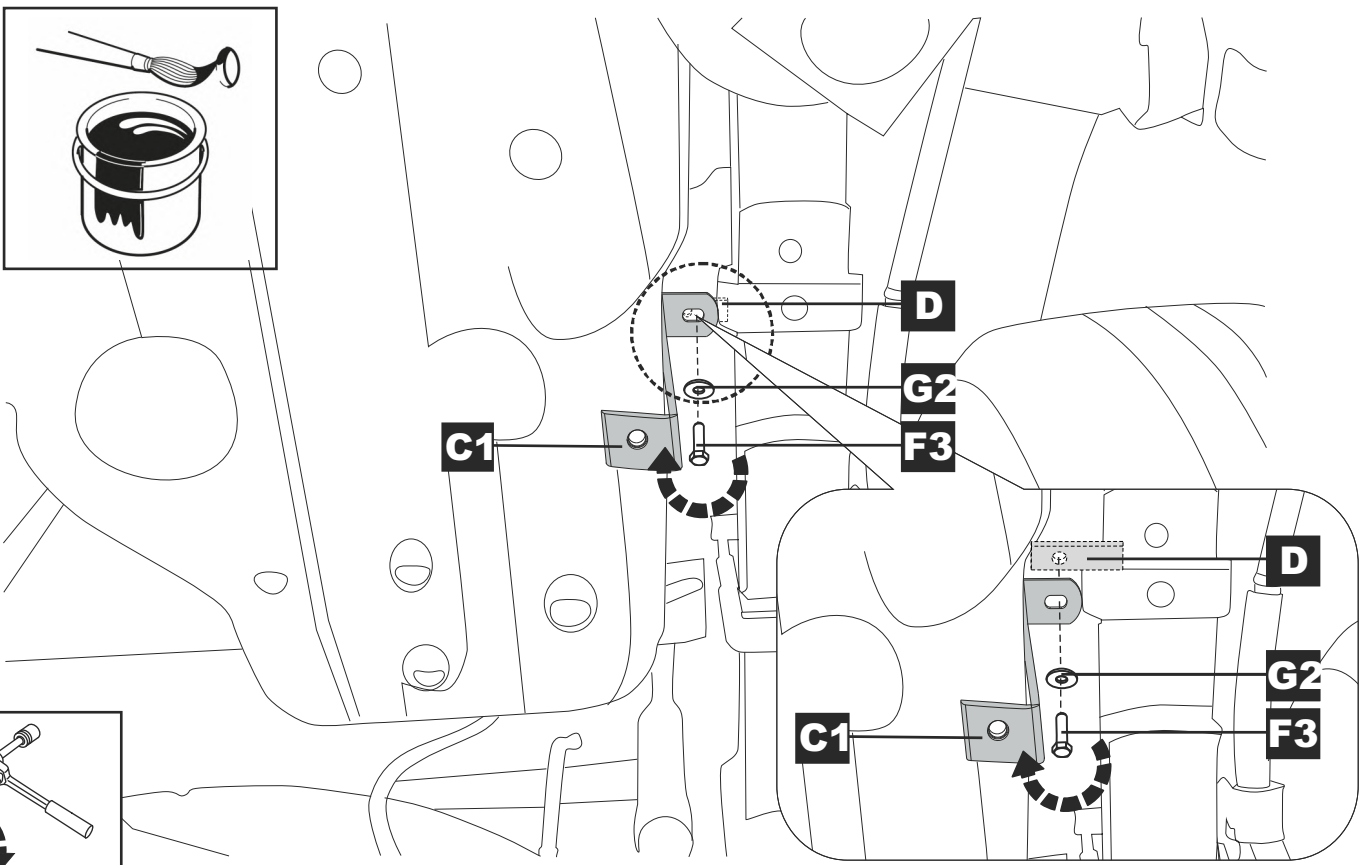


**1****2****1****1****2**

**3**

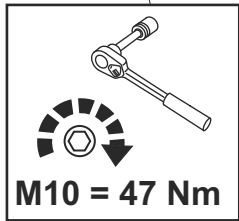
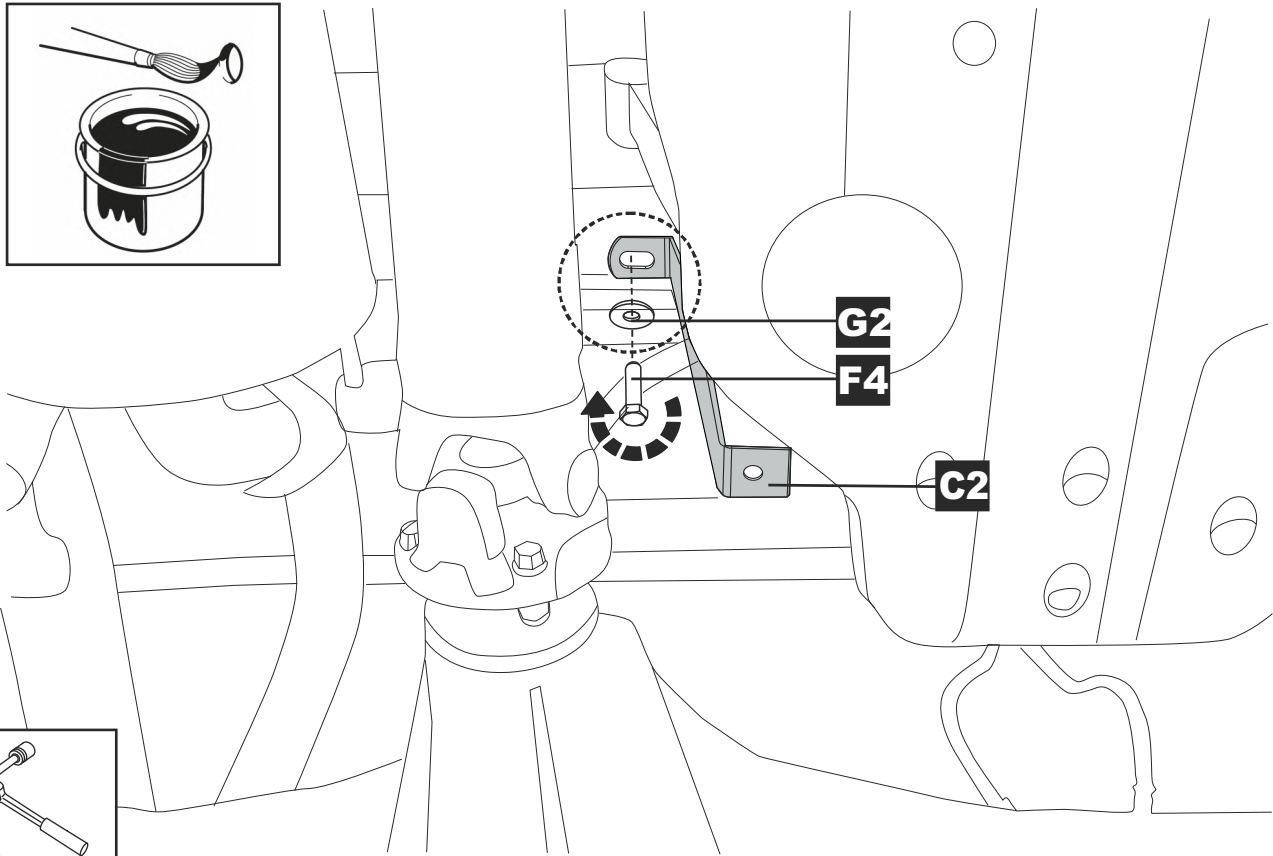


**4**

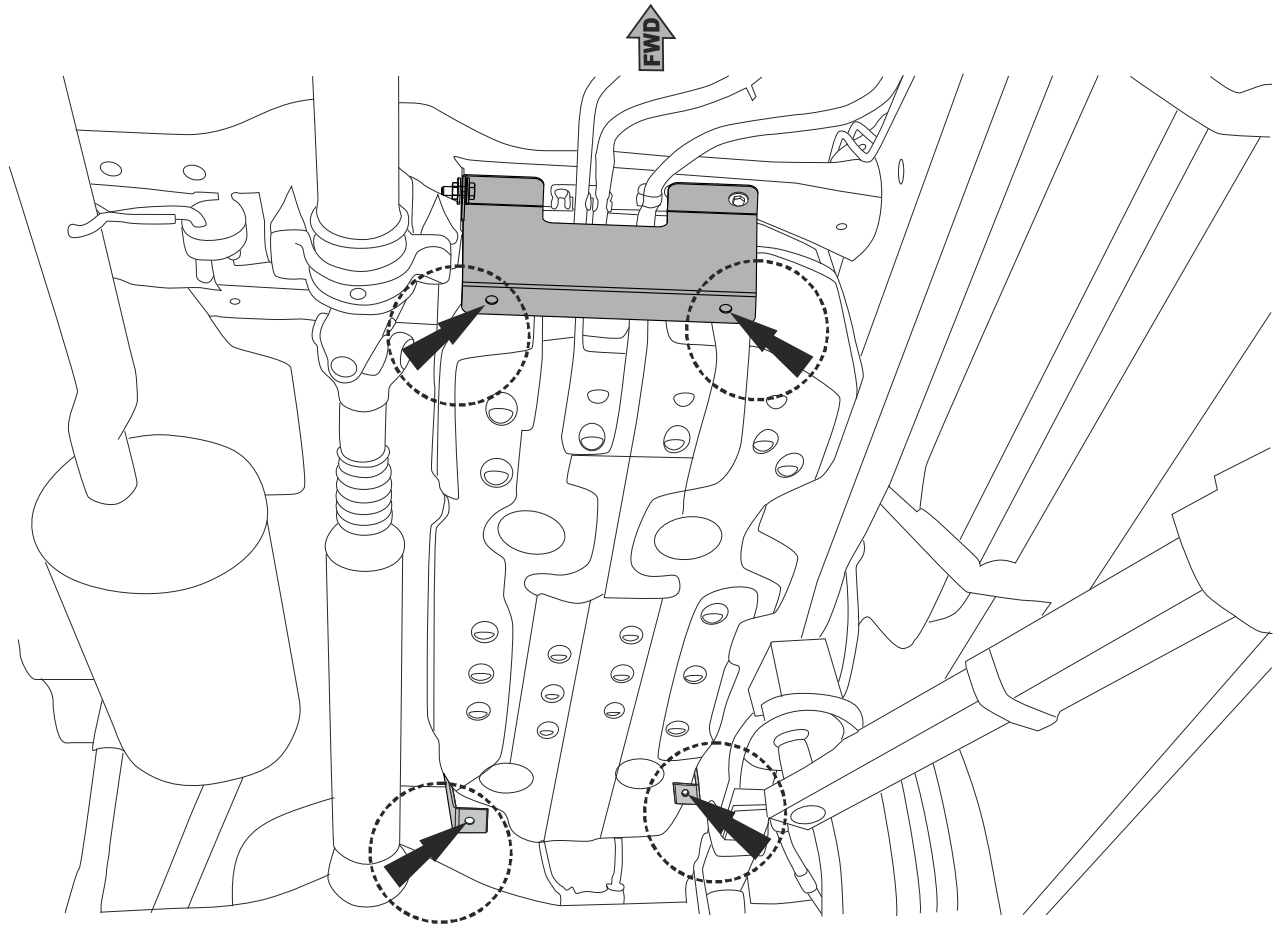


**M10 = 47 Nm**

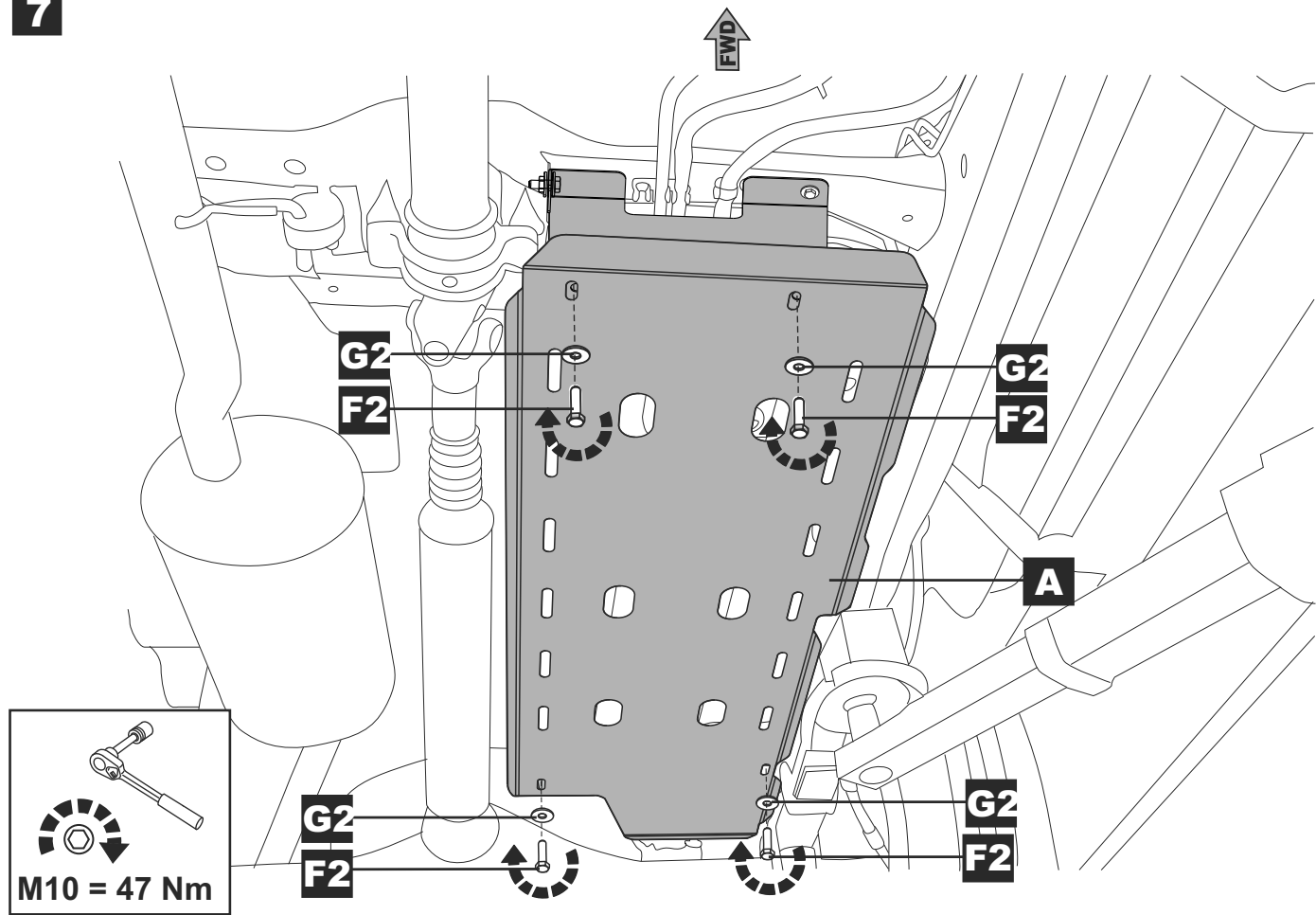
**5**



**6**



**7**



**8**

